

02-2017

C.L-CNC-006X

全自动开料机

功能

全自动智能开料，无需制模，所有开料一次完成，圈料、比料、庄头料、叶子料整叠料自动推进，自动计算所需开料胶板数量，无需编程，智能操作，是胶架眼镜智能化生产第一步工艺。

优点

- 横向、纵向五轴同时自动排版开料。
- 精度高、速度快，拥有双主轴，每小时300副。
- 自动智能排版，无需编程，自动算料。

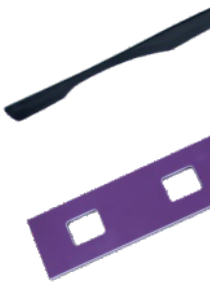
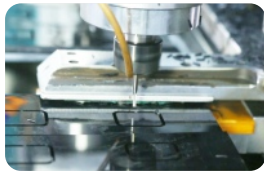
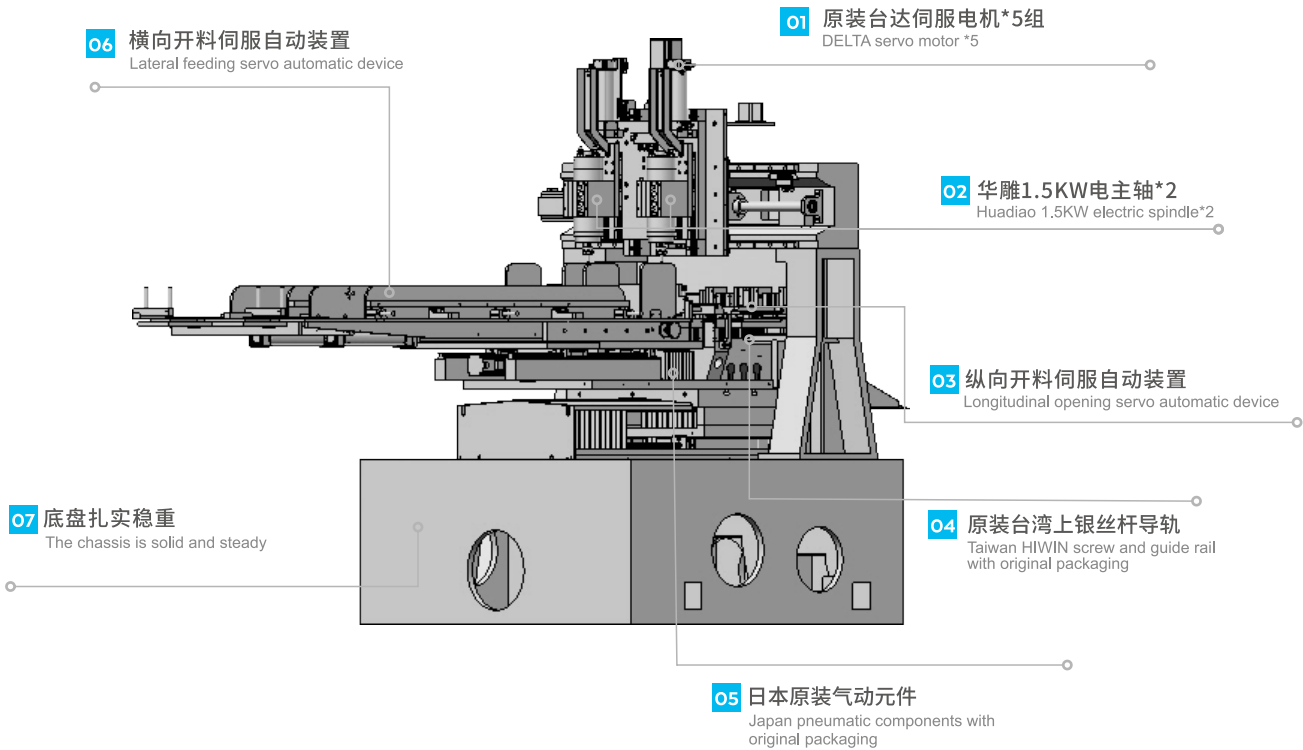
Automatic cutting machine

Functions

It can realize the full-automatic intelligent cutting, without moulding. All cutting can be completed at a time, front cutting, temple cutting, end piece cutting and blade nose pad cutting realize the automatic feeding, the number of rubber plates will be calculated automatically, without programming. The intelligent operation is the first step of intelligent production of acetate frame.

Advantages

- Horizontal and vertical five-spindle realize the automatic typesetting cutting.
- With high precision, fast speed, double spindles, 300 pairs can be completed per hour.
- It can realize the automatic intelligent typesetting, without programming, and realizes the automatic calculation.



技术参数 / Technical Parameters

性能指标项 Performance index	标准值 standard value	刀具规格 Shank mode	ER16
X、Y、Z轴运动定位精度 Positional accuracy of X/Y/Z axes movement	0.015mm	工作电压 Working voltage	220V/50HZ
X、Y、Z轴重复定位精度 The accuracy of repetitive positioning of X/Y/Z/A axes	0.010mm	驱动系统 Driving system	台达伺服×5轴 Delta servo x5 shaft
X、Y、Z轴工作行程 Operating stroke of X/Y/Z axes	500mm*500mm*200mm	操作系统 Operating system	新代系统+手执盒 SYNTEC system + hand box
主轴功率 Spindle power	1.5w×2	气源压力 Air pressure	0.6MPA
主轴转速 Spindle speed	1000-24000RMP	床体重量(KG)	2000KG
快速移动速度 Spindle number	20M/MIN	机床尺寸 Machine dimension	1450*1550*1850mm